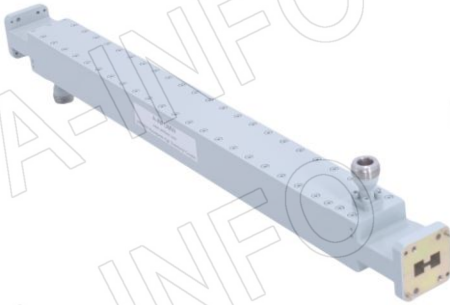


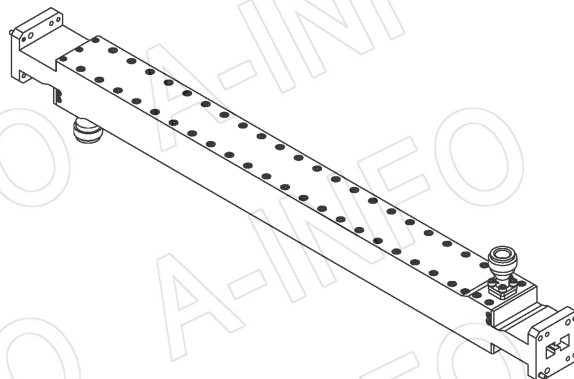
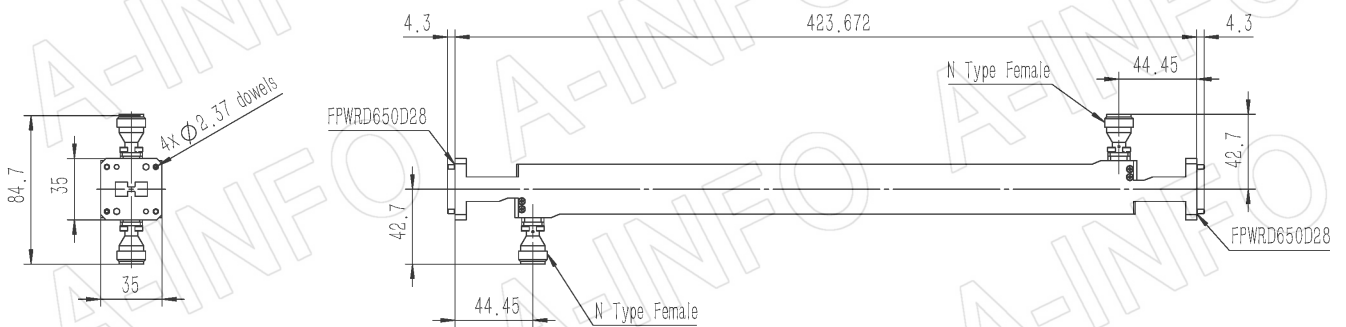
For reference only. See data sheet for the detailed specifications.

Technical Specification



EIA WRD	WRD650
Frequency Range(GHz)	6.5 – 18.0
Coupling(dB)	20
Coupling Accuracy(dB)	±1.5 Max.
Frequency Sensitivity(dB)	±1.5 Max.
Directivity(dB)	30 Min.
Insertion Loss(dB)	0.5 Max. (Not including the theoretical loss 0.09dB)
VSWR Mainline	1.15:1 Max.
VSWR Secondline	1.50:1 Max.
Flange	FPWRD650D28
Coupling Port	N-Female
Material	Al
Size(mm)	423.672 x 35 x 84.7
Net Weight(Kg)	0.94 Around

Outline Drawing (Size: mm)


AINFO Inc.

China(Beijing): Tel: (+86) 10-6266-7326,
 China(Chengdu): Tel: (+86) 28-8519-2786,
 USA : Tel: (+1) 949-639-9688,

Page 1 of 6

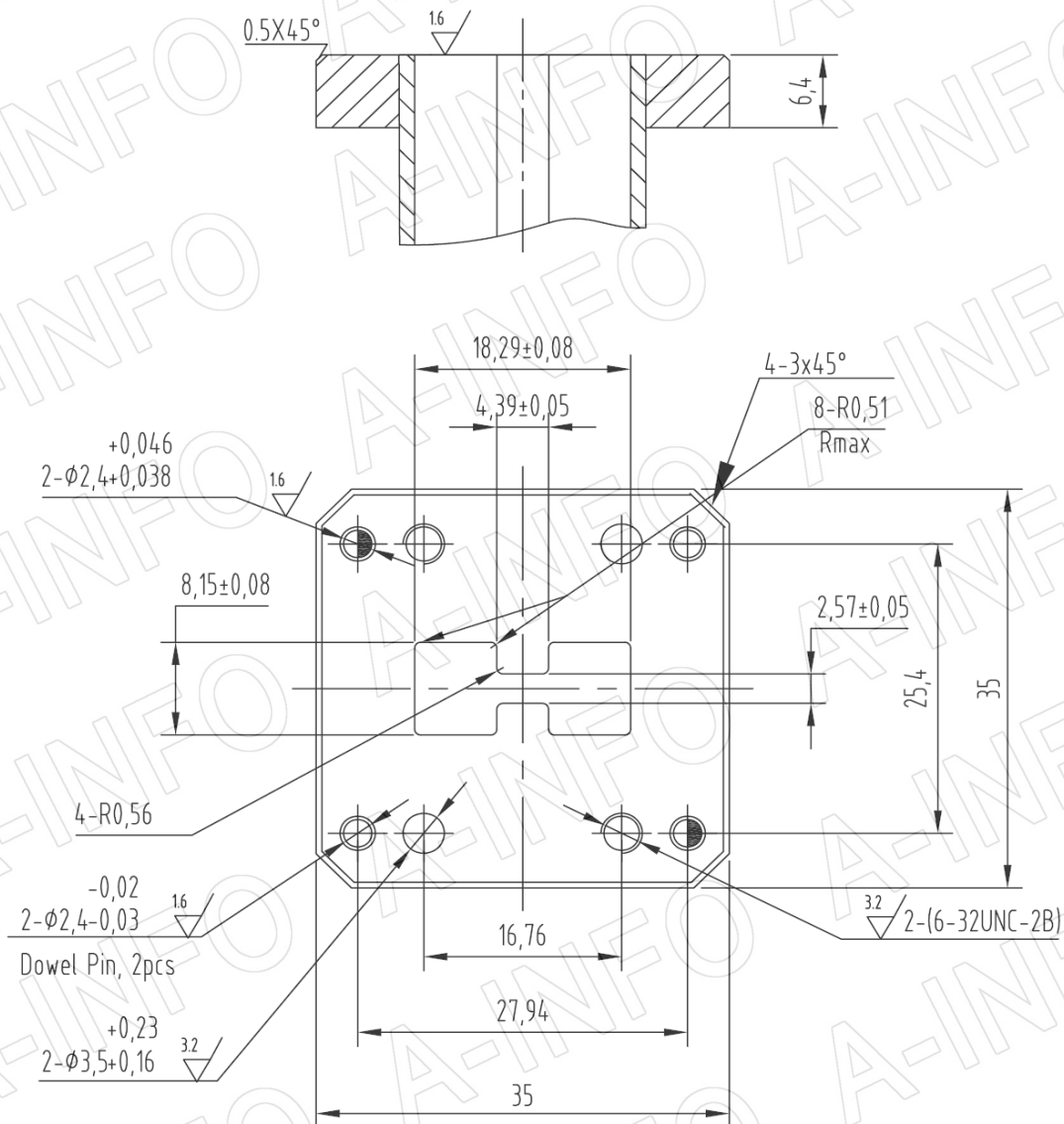
(+86) 10-6266-7327 Fax: (+86) 10-6266-7379
 (+86) 28-8519-3044 Fax: (+86) 28-8519-3068
 (+1) 949-639-9608 Fax: (+1) 949-639-9670

Website: www.ainfoinc.com
 Email: sales@ainfoinc.com

Flange Drawing (Size: mm)

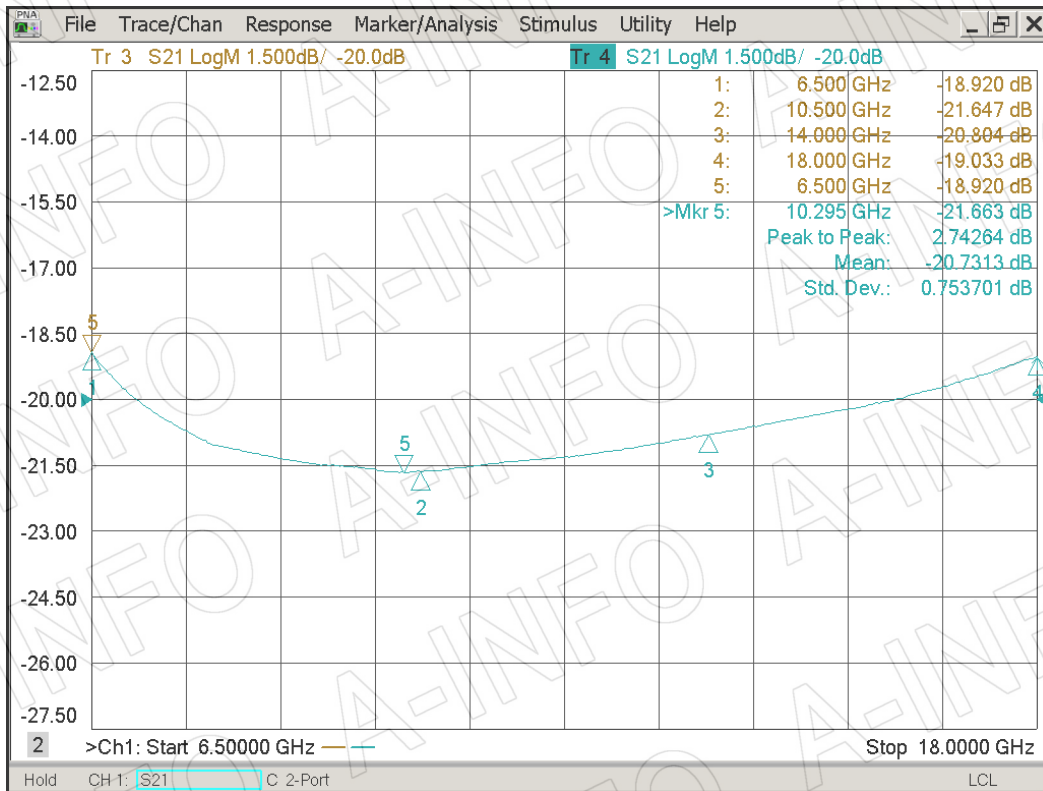
FPWRD650D28

(With two through mounting holes
and two screws holes)

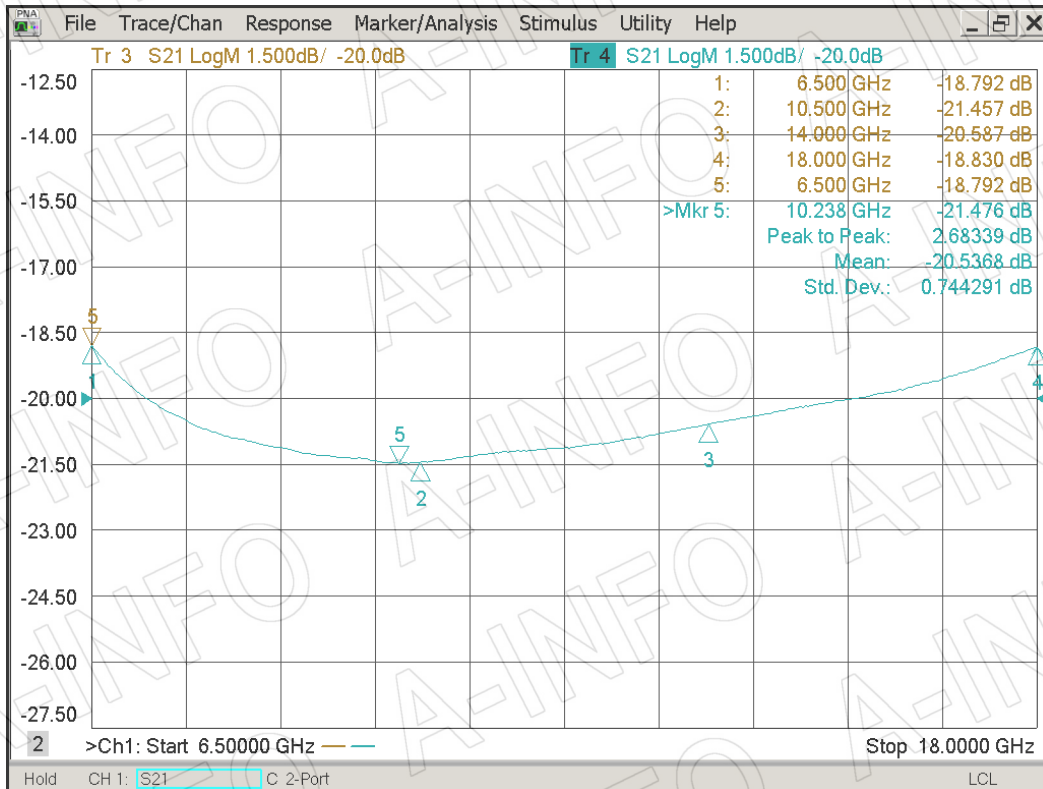


Test Results

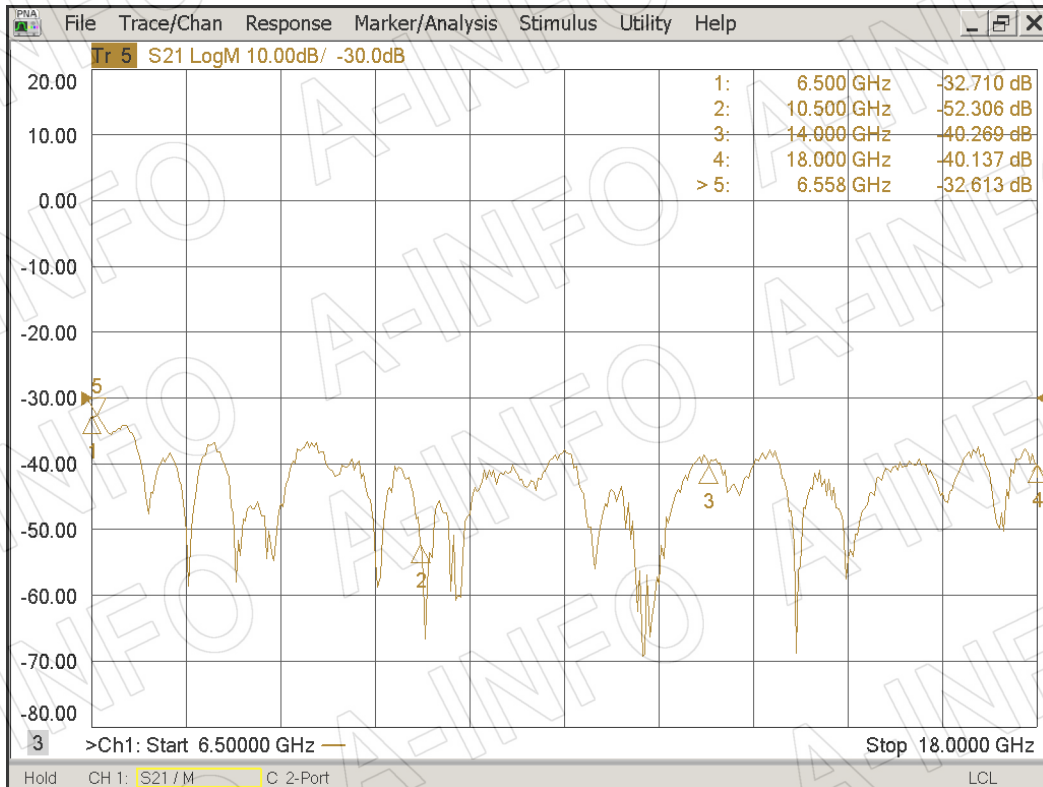
Coupling Port 1



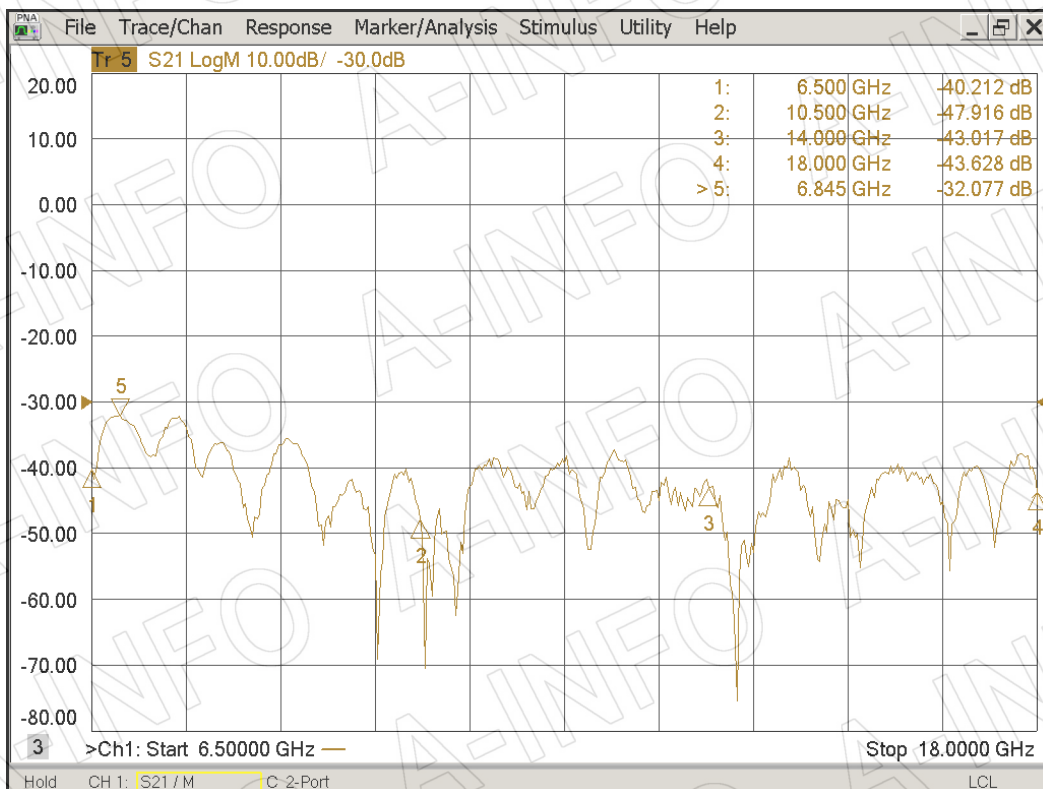
Port 2



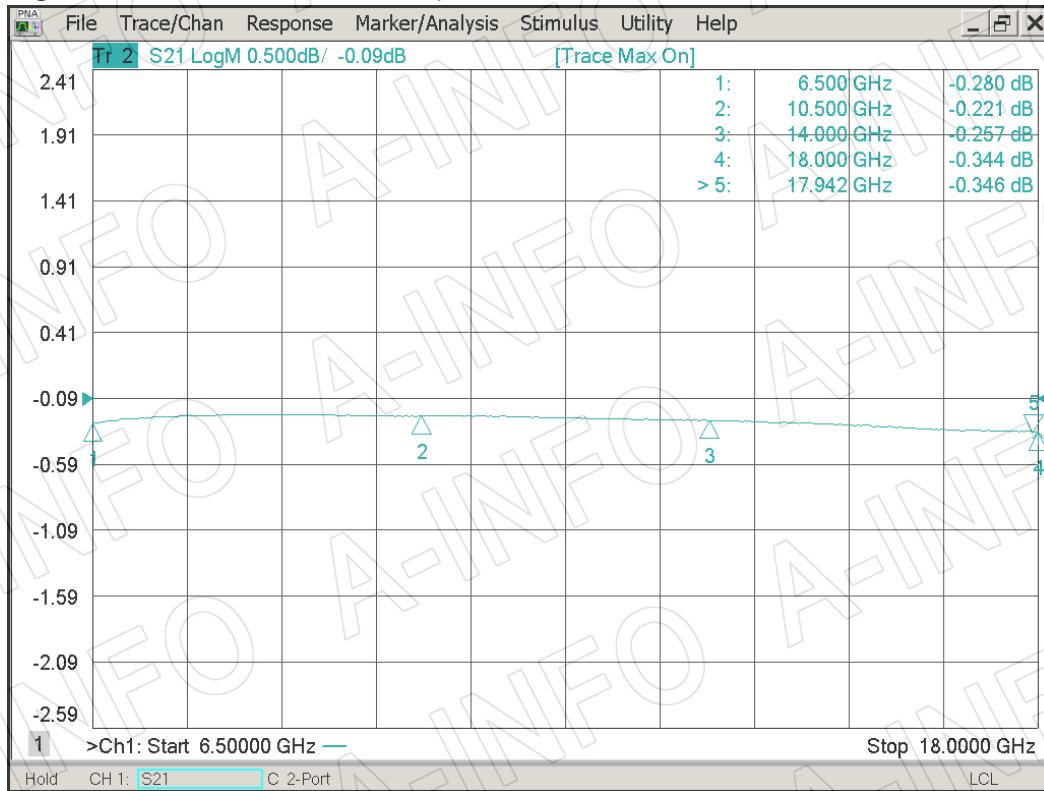
Directivity
Port 1



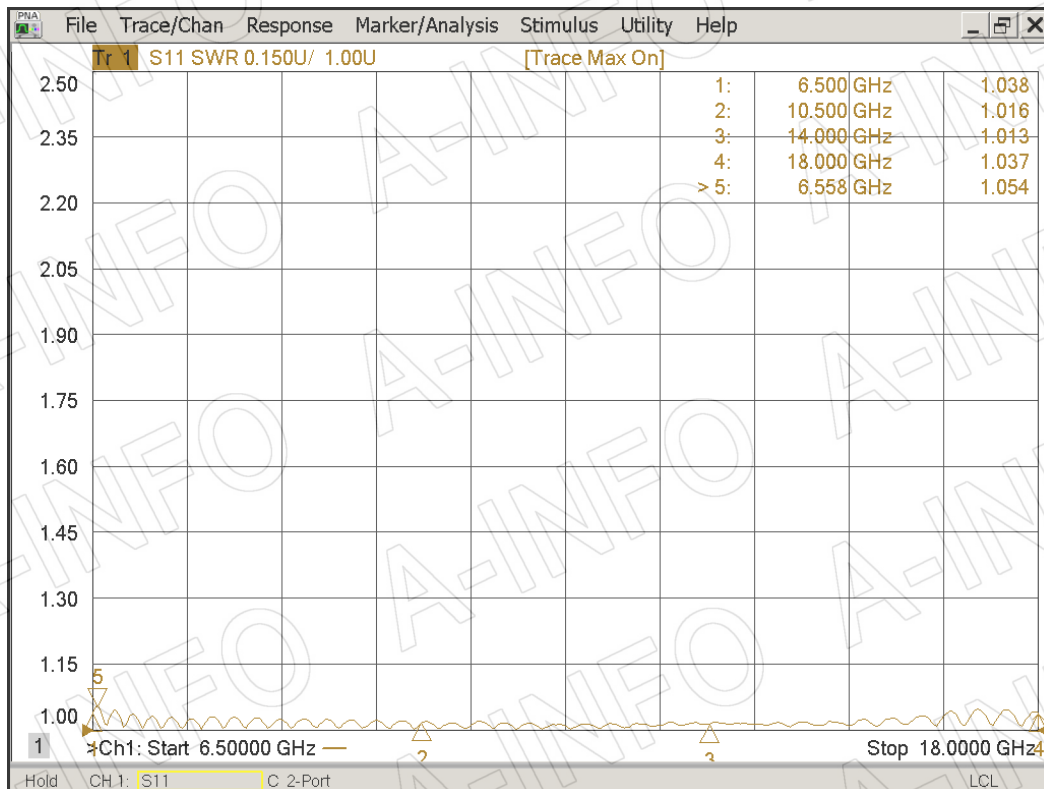
Port 2



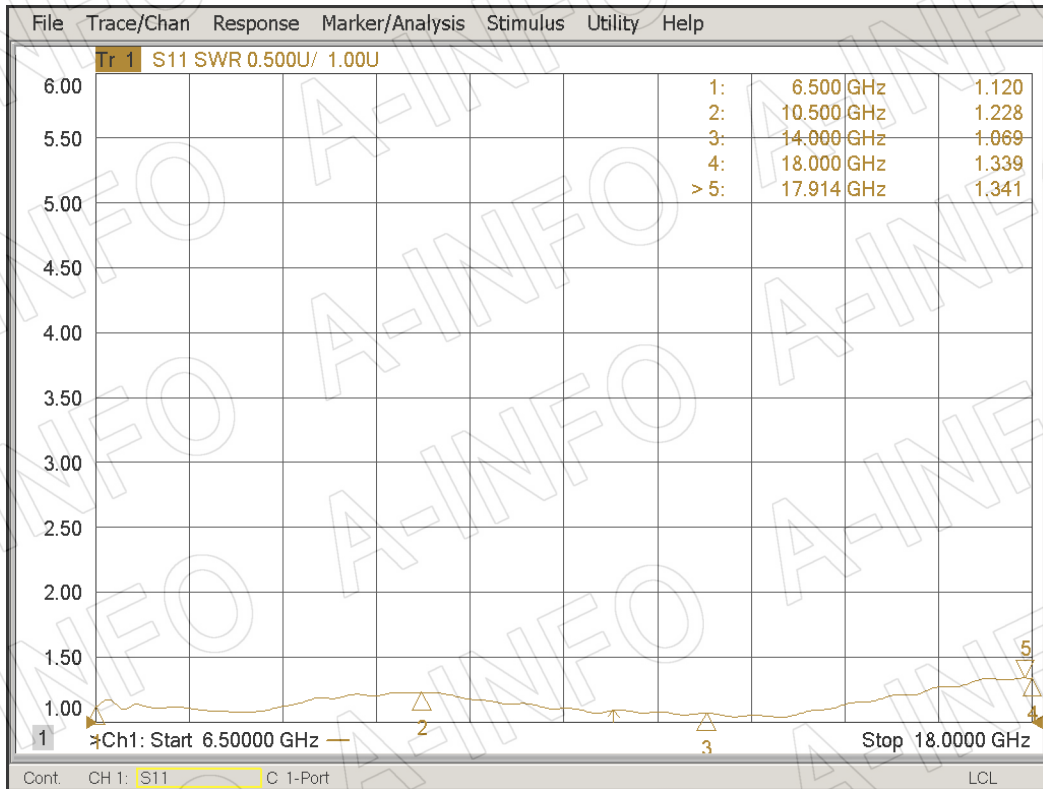
I.L. (Including the theoretical loss 0.09dB)



Mainline VSWR



Secondline VSWR
Port 1



Port 2

